

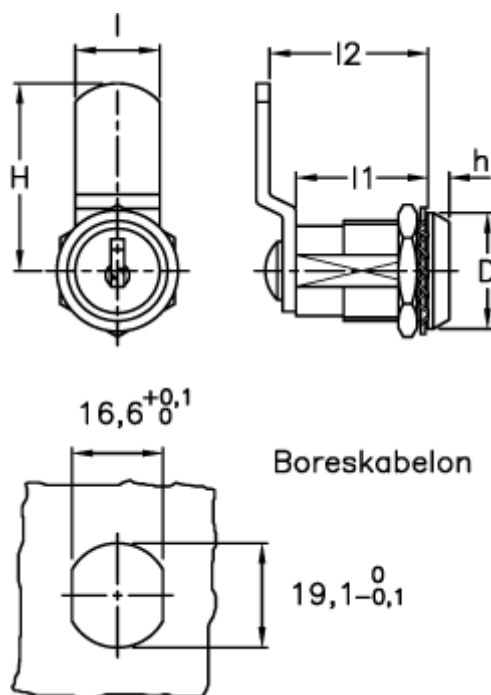
Data Sheet



Article number: 2310421479

Description: E+G Latch w/lock
CSU.30/36-35

Measures



D = 23
H = 35.5
h = 5
l = 16
l1 = 30
l2 = 35